

WILLIAMS DOOR COMPANY


RESIDENTIAL • COMMERCIAL • WHOLESALE DISTRIBUTION

16 Gauge Steel Door Frames
*In Stock and Ready For Pick Up

Masonry 5 3/4"

4000 Series Masonry Frames

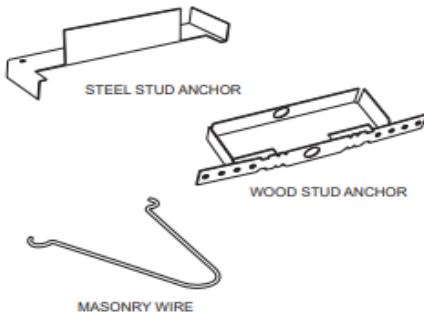
16 GAUGE COMPLETE MASONRY FRAMES UNEQUAL RABBET

- Fire label WHI 3HR Positive Pressure,  Smoke label
- Masonry frames are prepared for ASA strike
- Price includes anchors. Please specify type;
ANCHORS: WS = Wood Stud, SS = Steel Stud, MA = Masonry Wire

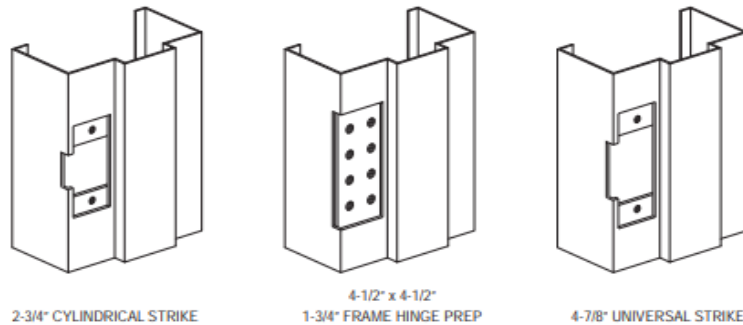
Standard Features

- ◆ 16-Gauge Cold Rolled or Galvanized Steel
- ◆ Unequal Rabbet / 2-inch Face
- ◆ 4-inch Face Heads Available
- ◆ 5/8-inch Stop Height
- ◆ Exact Fit Mitered Corners
- ◆ 7-Gauge Hinge Reinforcement with Standard / Heavy Duty Adjustment
- ◆ 4-7/8" Universal Strike Preparation
- ◆ Floor Anchor Included
- ◆ 9/32-inch Silencer Preparation
- ◆ Wall Anchors for, Masonry, Wood Stud and Metal Stud Walls, Loose or Welded In.
- ◆ 4" - 13" Jamb Depth
- ◆ 20 Minute to 3 Hour Fire Label

Accessories



Typical Hardware Preparations



Features

